

TECHNICAL SPECIFICATION

CSYS™ task lights provide powerful light, precisely where you need it. Heat pipe technology cools LEDs to sustain brightness over 144,000 hours*. Each light uses eight high-power warm white (2700K) LEDs, with glare-free conical reflectors. They surpass the task area illuminance requirements of AS/NZS 1680.

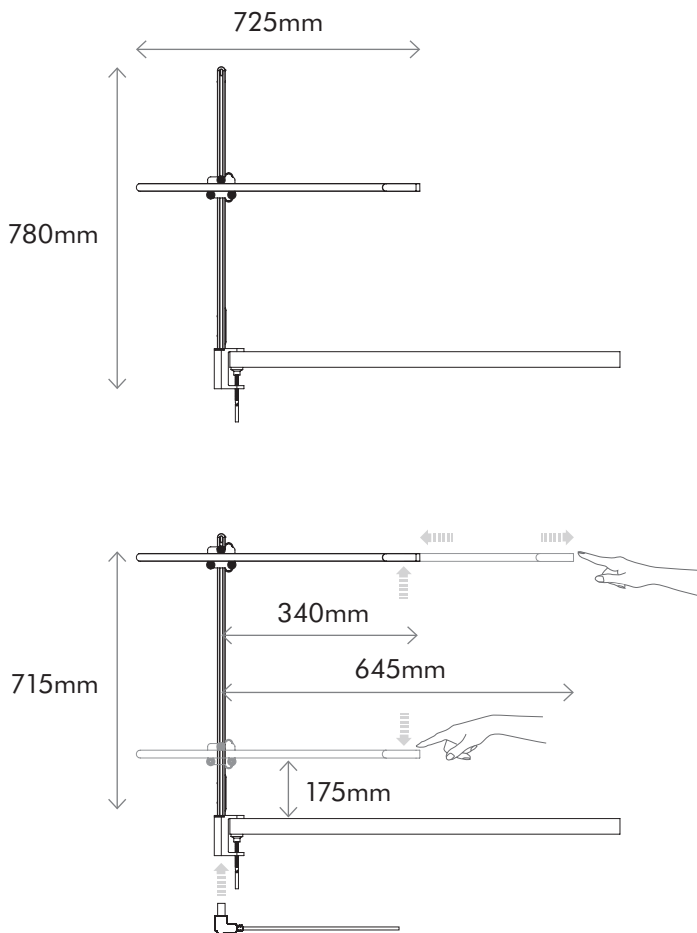
With 3 Axis Glide™ motion, the lights move vertically, horizontally and the zinc alloy base rotates smoothly through 360 degrees. A touch-sensitive precision dimmer remembers the most recent light setting.

To specify, state:

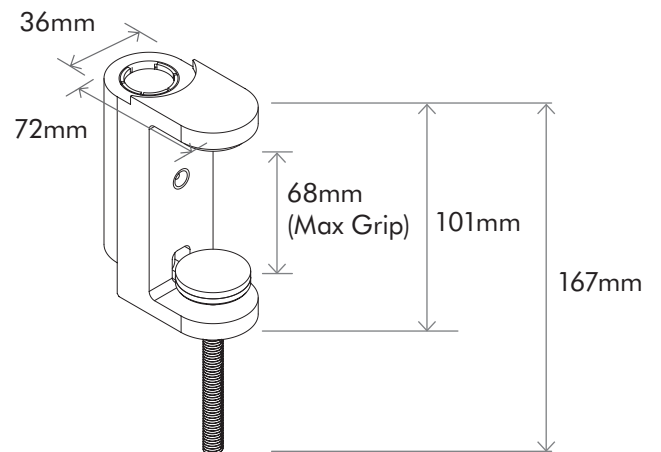
Clamp mounted LED task light with Heat pipe cooling technology and 3 Axis Glide™ motion. Complete with touch sensitive and memory dimming.



FRONT ELEVATION



CLAMP MECHANISM



SIDE ELEVATION



*Calculated lifetime based on LED L70.

Electrical

Input voltage / Frequency: 100-240V, 50/60Hz

Rated power: System 12W

Power supply cord length: 2.5m

Optical

Light source: LED

Light output: 650lm

Luminous efficacy: 54lm/W

LED life time: 144,000hrs

Colour temperature: 2700K (Please enquire for other CCT options)

CRI: 80

Standby power consumption: 5mA 0.6W

Beam angle: 68°

IP rating: Indoor use only

Operating temperature range: 1°C - 40°C

Construction

Materials: Aluminium / Copper / Steel / Polycarbonate Plastic

Operation

Touch sensitive dimming

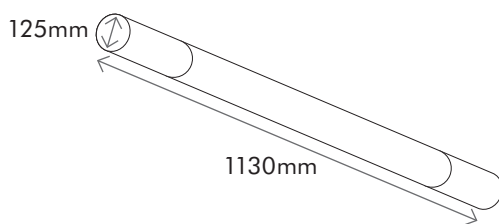
Light level memory

Logistics

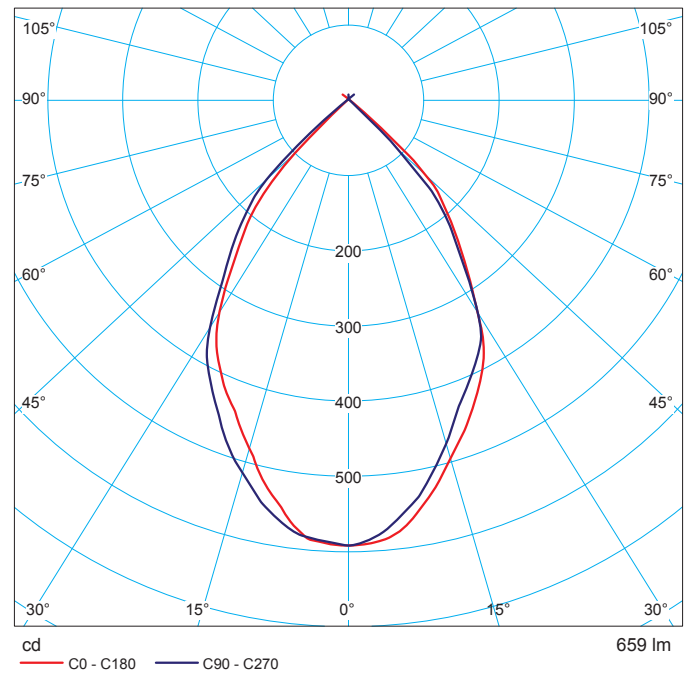
Net weight: 1.9kg

Packaged weight: 4kg

Packaged dimensions:



Polar plot



Product colour

Black Black (BB)

Black Silver (BS)



Complies with

IEC/EN 62471 (Including national deviations)
AS/NZS 60598.1 (Including national deviations)
AS/NZS 60598.2.4 (Including national deviations)
IEC 61347-1 (Including national deviations)
IEC 61347-1-13 (Including national deviations)
IEC 62031, AS/NZS 61347.1, AS/NZS 61347.2.13,

Standard guarantee

2 years