

## TECHNICAL SPECIFICATION

CSYS™ task lights provide powerful light, precisely where you need it. Heat pipe technology cools LEDs to sustain brightness for up to 144,000 hours.<sup>1</sup> Each light uses eight high-power warm white (4000K) LEDs, with glare-free conical reflectors.

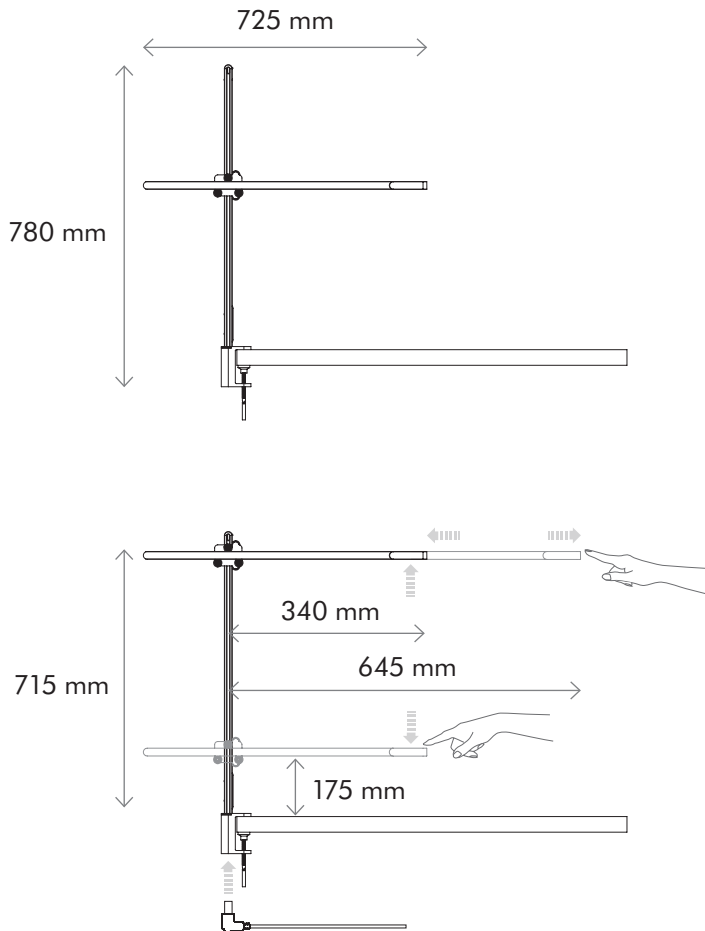
With 3 Axis Glide™ motion, the lights move horizontally, vertically and through 360 degrees rotationally. A touch-sensitive precision dimmer remembers the most recent light setting.

**To specify, state:**

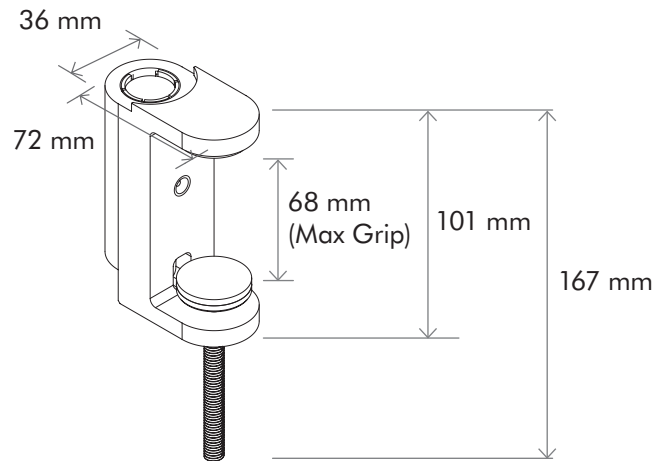
Clamp mounted 4000K LED task light with Heat pipe cooling technology and 3 Axis Glide™ motion. Complete with touch sensitive and memory dimming.



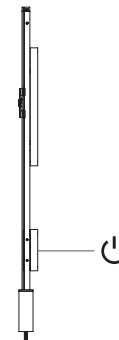
### FRONT ELEVATION



### CLAMP MECHANISM



### SIDE ELEVATION



<sup>1</sup>Calculated lifetime based on LED L70.

## Electrical

Input voltage / Frequency: 100-240V, 50/60Hz

Rated power: System 11.5W

Power supply cord length: 2.5m

## Optical

Light source: LED

Light output: 800lm

Luminous efficacy: 70lm/W

LED life time: 144,000hrs<sup>1</sup>

Colour temperature: 4000K (Please enquire for other CCT options)

CRI: Min 80

Standby power consumption: 5mA 0.3W

Beam angle: 68°

IP rating: Indoor use only

Operating temperature range: 1°C - 40°C

## Construction

Materials: Aluminium / Copper / Steel / Polycarbonate Plastic

## Operation

Touch sensitive dimming

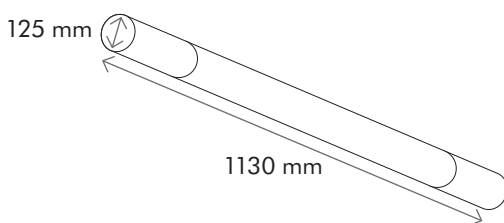
Light level memory

## Logistics

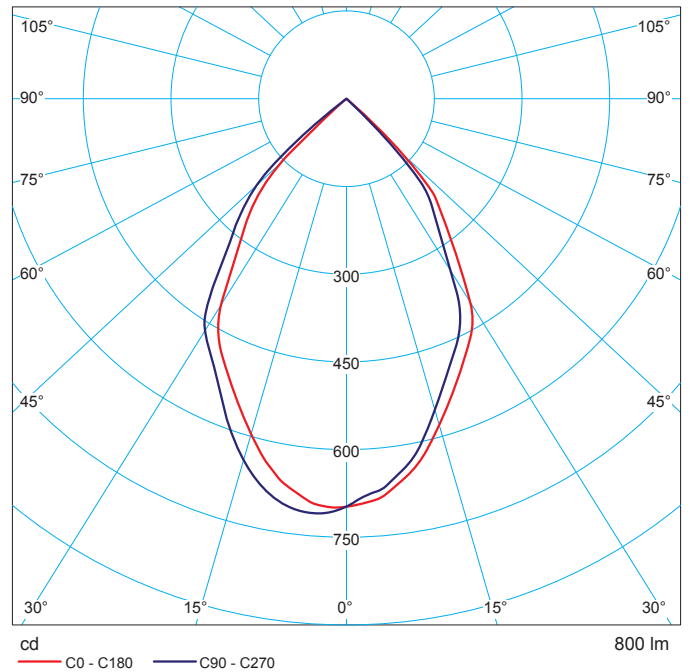
Net weight: 1.9kg

Packaged weight: 4kg

Packaged dimensions:



## Polar plot



## Product colour

Black Black (BB)

Black Silver (BS)



## Standard guarantee

2 years (parts only)

<sup>1</sup>Calculated lifetime based on LED L70.